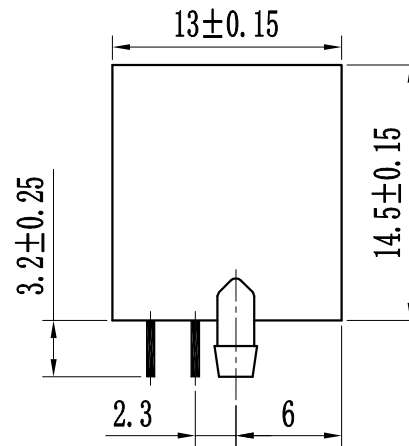
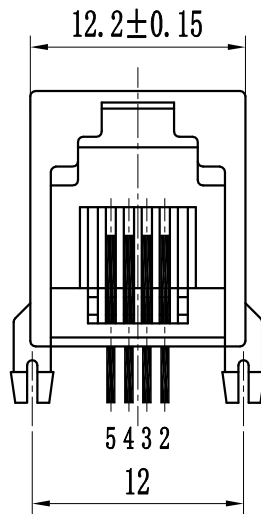
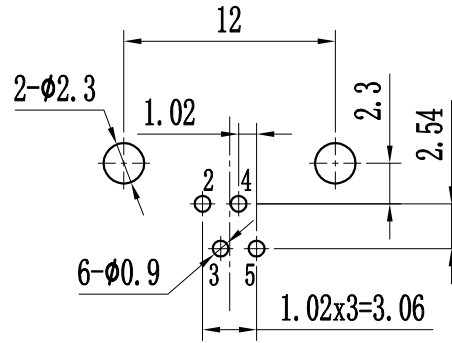
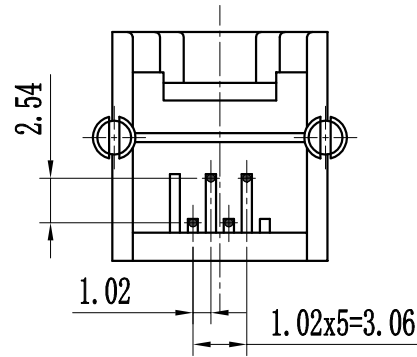


RoHS compliant

PC Board Layout  
Top View



SPECIFICATIONS :

MATERIAL:

1. HOUSING MATERIAL: (1)GLASS FILLED PA66(UL94V-0), (2)GLASS FILLED PA46(UL94V-0), (3)GLASS FILLED PBT(UL94V-0).
2. CONTACT MATERIAL:PHOSPHOR BRONZE φ0.46MM.
3. PLATING: GOLD PLATING  $Fu^{-50u}$  OVER NICKEL.
4. SHIELD: 0.20MM-0.25MM THICKNESS H65Y BRASS NICKEL PLATED.

ELECTRICAL:

1. VOLTAGE RATING:125Vac RMS .
2. CURRENT RATING:1.5AMP .
3. CONTACT RESISTANCE:30mΩ MAX .
4. INSULATION RESISTANCE:500MΩ MIN @ 500Vdc .
5. DIELECTRIC WITHSTANDING VOLTAGE:1000Vac RMS 50Hz 1MIN.

MECHANICAL:

1. DURRABILITY :750 CYCLES MIN.
2. INSETION FORCE:2.2Kgf MAX.
3. RETENTION STRENGTH: 7.7KG.F MIN BETWEEN JACK AND PLUG.

ENVIRONMENTAL:

1. STORAGE TEMPRATURE : -40° C TO 85° C.
2. OPERATION TEMPRATURE : -40° C TO 70° C.

TOLERANCE UNLESS OTHERWISE SPEC						品名 Classification	5521 1x1 6P4C 无耳				
BASIC DIMENSION	TOLERANCE					料号 Material No					
.X	±0.5					图样标记	数量 QTY	重量 Weight	比例 SCALE	尺寸 SIZE	单位 UNIT
.XX	±0.35					标记 Mark			1:1	A4	mm
.XXX	±0.25	处数 Number of places	文件号 Doc.No.	签名 Sign	日期 Date	共 1 张 第 1 张					
ANGLES	±0.5°	设计 Designed		标准化 Standardize		Coorle Technology					
		校对 Proofread		审核 Check							
		工艺 Technology		批准 APPROVED							